



LED-RF-24/22-CW

Date: _____

Type: _____

Project: _____

General Description:

The LED-RF-CW is a Arched Diffuser luminaire with a contemporary look that provides visual appeal with LED performance for today's commercial spaces.

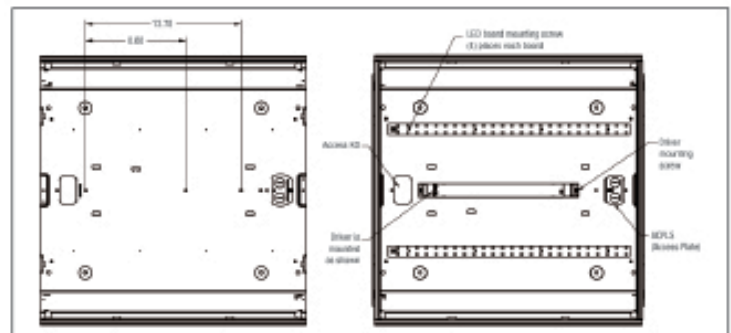
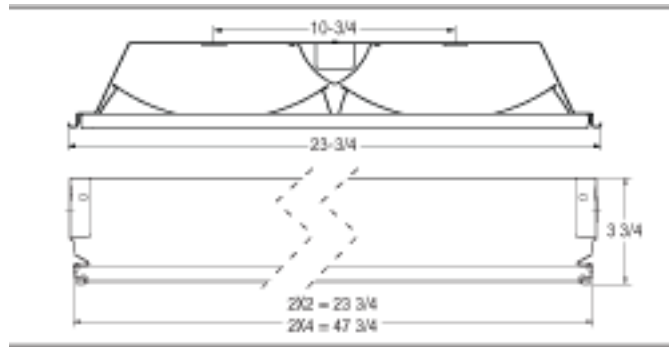
The Thermoformed acrylic Lumieo[®] Lens provides excellent light transmission with architectural appeal.

Features and Benefits:

- High performance optical engine delivers main beam focus through the integrated polymeric lens.
 - Unique Lumieo[®] diffuser manages the balance of efficiency and aesthetics and helps hide the LEDs.
 - Lumieo[®] is a premium white acrylic sheet which provides both high transmission and excellent lamp hiding capabilities.
- The diffusion comes from a combination of a very fine surface texture and special diffusing additives
- LED light engine by LG Innotek or Keystone Technologies

Applications:

For recessed commercial applications such as offices, hospitals, schools etc. Suitable for use in standard 15/16" inverted T-Bar grid ceilings.



Notice: Dimensions and specifications subject to change without notice.

5-C MARLEN DRIVE, HAMILTON, NJ 08691
PHONE: 609-587-7900 FAX: 609-613-5586

WWW.MONMOUTHLIGHTING.COM



LED-RF-24/22-CW

Date: _____
 Type: _____
 Project: _____

LED RF 22/24-CW		
LG Innotek driver and boards		
Specifications	2x2	2x4
Input Wattage	35.6	52
Deliverd Lumens (lms)	3510	5567
Efficacy (LpW)	98.6	107.1
Color Rendering Index (CRI)	84.3	84.4
Color Temperature (CCT)*K	3500,4000	3500,4000
Minimum Ambient Temperature (°F)	-4	-4
Maximum Ambient Temperature (°F)	158	158
Dimming	0-10v	0-10v
Rated Life (L70)	50,000	50,000
Warranty	5 years	5 years
Voltage (V)	120-277V	120-277V
Operating Frequency (Hz)	50/60	50/60
UL	Yes	Yes
FCC	Compliant	Compliant

Values taken from LM-79 reports

LED RF 22/24-CW		
Keystone Technologies driver and boards		
Specifications	2x2	2x4
Input Wattage	39.5	68.5
Deliverd Lumens (lms)	3592.8	6512.1
Efficacy (LpW)	91.1	95.1
Color Rendering Index (CRI)	84.5	84.5
Color Temperature (CCT)*K	3000,3500 4000,5000	3000,3500 4000,5000
Minimum Ambient Temperature (°F)	-22	-22
Maximum Ambient Temperature (°F)	140	122
Dimming	0-10v	0-10v
Rated Life (L70)	50,000	50,000
Warranty	5 years	5 years
Voltage (V)	120-277V	120-277V
Operating Frequency (Hz)	50/60	50/60
UL	Yes	Yes
FCC	Compliant	Compliant

Values taken from LM-79 reports

IES photometric files available upon request.

Housing	Length	Color Temp	Driver/Board	Voltage	Options
LED-RF22-SW	2x2	30 3000	KS Keystone Technologies LG LG Innotek	EBUNI (Multi Volt 120/277)	LL Lumieo ^R Lens NY 20 Gauge NYC Housing DM Dimming Ballast EMB Emergency Ballast
LED-RF24-SW	2x4	35 3500			
		40 4000			
		50 5000			

Consult factory for additional options and accessories.

Notice: Dimensions and specifications subject to change without notice.