



LED-RF-24/22-SW

Date: _____

Type: _____

Project: _____

General Description:

The LED-RF-SW is a Center Diffuser luminaire with a contemporary look that provides visual appeal with LED performance for today's commercial spaces.

The extruded acrylic lens with the Lumieo[®] softening overlay provides a diffused light, with the combination of excellent light transmission with architectural appeal.

Features and Benefits:

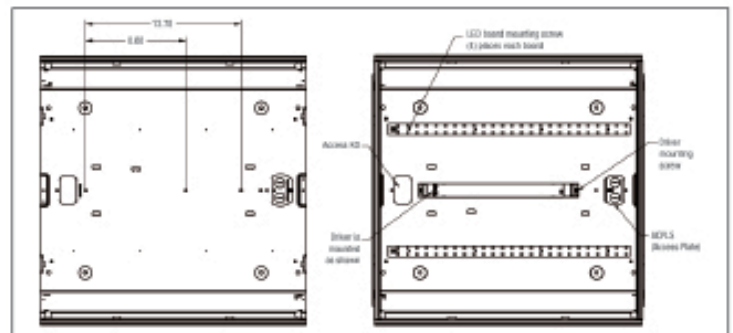
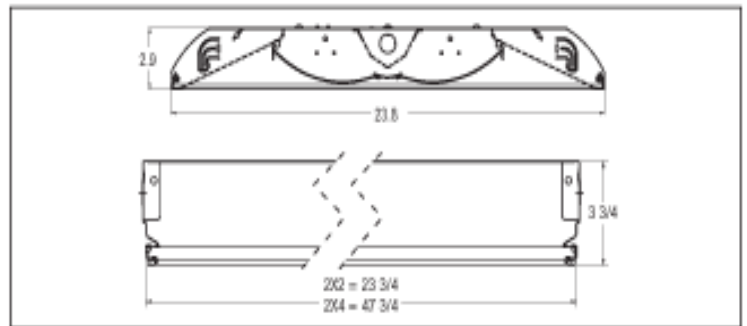
- High performance optical engine delivers main beam focus through the integrated polymeric lens
- Unique Lumieo[®] diffuser manages the balance of efficiency and aesthetics and helps hide the LEDs.
- Lumieo[®] is a premium white acrylic sheet which provides both high transmission and excellent lamp hiding capabilities.

The diffusion comes from a combination of a very fine surface texture and special diffusing additives

- LED light engine by LG Innotek, global leader in LED technology or Keystone Technologies

Applications:

For recessed commercial applications such as offices, hospitals, schools etc. Suitable for use in standard 15/16" inverted T-Bar grid ceilings.



Notice: Dimensions and specifications subject to change without notice.

5-C MARLEN DRIVE, HAMILTON, NJ 08691
PHONE: 609-587-7900 FAX: 609-613-5586

WWW.MONMOUTHLIGHTING.COM



LED-RF-24/22-SW

Date: _____
 Type: _____
 Project: _____

LED RF 22/24-SW		
LG Innotek driver and boards		
Specifications	2x2	2x4
Input Wattage	35.6	52
Deliverd Lumens (lms)	3548	5827
Efficacy (LpW)	99.7	111.9
Color Rendering Index (CRI)	84.3	84.4
Color Temperature (CCT)*K	3500,4000	3500,4000
Minimum Ambient Temperature (°F)	-4	-4
Maximum Ambient Temperature (°F)	158	158
Dimming	0-10v	0-10v
Rated Life (L70)	50,000	50,000
Warranty	5 years	5 years
Voltage (V)	120-277V	120-277V
Operating Frequency (Hz)	50/60	50/60
UL	Yes	Yes
FCC	Compliant	Compliant

Values taken from LM-79 reports

LED RF 22/24-SW		
Keystone Technologies driver and boards		
Specifications	2x2	2x4
Input Wattage	37.4	68.6
Deliverd Lumens (lms)	3666.5	6811.2
Efficacy (LpW)	98.2	99.4
Color Rendering Index (CRI)	84.6	84.4
Color Temperature (CCT)*K	3000,3500 4000,5000	3000,3500 4000,5000
Minimum Ambient Temperature (°F)	-4	-4
Maximum Ambient Temperature (°F)	158	158
Dimming	0-10v	0-10v
Rated Life (L70)	50,000	50,000
Warranty	5 years	5 years
Voltage (V)	120-277V	120-277V
Operating Frequency (Hz)	50/60	50/60
UL	Yes	Yes
FCC	Compliant	Compliant

Values taken from LM-79 reports

IES photometric files available upon request.

Housing	Length	Color Temp	Driver/Board	Voltage	Options
LED-RF22-SW	2x2	30 3000	KS Keystone Technologies LG LG Innotek	EBUNI (Multi Volt 120/277)	LL Lumieo ^R Lens NY 20 Gauge NYC Housing DM Dimming Ballast EMB Emergency Ballast
LED-RF24-SW	2x4	35 3500			
		40 4000			
		50 5000			

Consult factory for additional options and accessories.

Notice: Dimensions and specifications subject to change without notice.